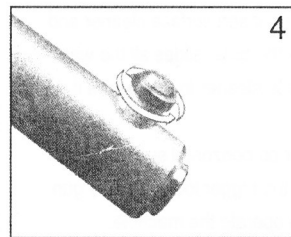
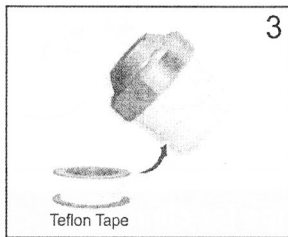
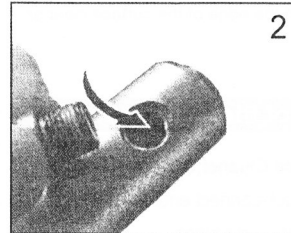
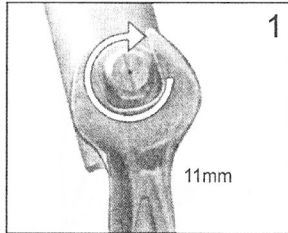


Surface cleaner nozzle maintenance

- 1.Remove the nozzle with appropriate wrench (11 mm)
- 2.Rinse mounting holes with fresh water to clean impurity
- 3.Cover new nozzles thread with attached teflon tape
- 4.Align the nozzle opening, reinstall nozzles to the spray bar. Tighten securely.

Please note:

- 1.In order to avoid nozzle blocked by sand or other debris, you can use water inline filter.
- 2.If the nozzle is difficult to remove, please heat it with a hot blower before removing.

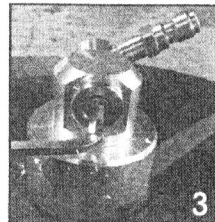
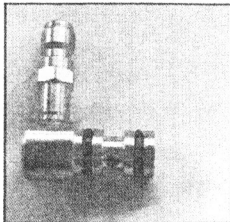
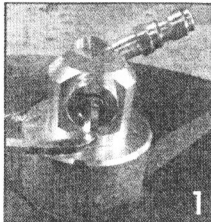


Surface Cleaner Top Maintenance

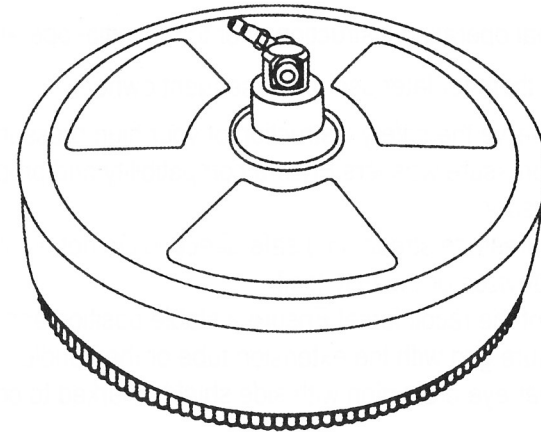
If the pivot connection leaks, please change the o-rings (package included).

Please refer to the following steps:

- 1.Remove the screw from the body by using a 5 mm hex wrench.
- 2.Replace the original o-ring which is broken with new o-rings.
- 3.Reinstall the screw by using a 5 mm hex wrench.



15" Surface Cleaner



OPERATOR'S MANUAL

Pressure Washer Surface Cleaner

1. 15-Inch Surface Cleaner has dual pressure water jets that spin rapidly breaking up dirt and grime without streaking or striping surfaces. And it cleans large surfaces up to 5x faster than a standard nozzle.
2. With pressure washer up to 4,000-PSI, the surface cleaner is ideal for the cleaning floor made of different materials, such as plastic, concrete, tiles, natural stone.
3. The high-pressure water jets is contained inside of the dome enclosure, no overspray or back splash.

Safety Instruction



WARNING:

To reduce the risk of injury, please read and comply with these



original operating instruction prior to the initial operation and store them for later use or subsequent owners.

- Please observe the safety instruction of your high pressure cleaner.
- Fits most pressure washers. Ensure compatibility and proper fit before using this accessory.
- Spray the pressure stream in a safe direction. Do not point at people, pets, electrical devices or the unit itself.
- Be aware of the recoil force! Ensure a stable position and firmly hold the high pressure gun with the extension tube or the handle.
- Always wear eye protection with side shields marked to comply with ANSI Z87.1
- Switch off the high pressure cleaner when you finish cleaning.
- Maximum water temperature 104 °F (Please observe the instructions of your high-pressure cleaner)
- After use or before servicing, always disconnect the surface cleaner from the pressure washer spray wand

TECHNICAL SPECIFICATIONS

Connection	1/4" Quick Plug
Diameter	15-inch
Max Pressure	4,000 psi
Min Pressure	2,000 psi
Max Water Flow	3.7 GPM
Max Water Temperature	104 °F
Weight	7.2 lbs

Package Include:

- 2 x 15" Pressure Washer Extension Wand
- 1 x 16.5" Pressure Washer Surface Cleaner
- 1 x Operator's Manual
- 2xO-rings
- 2xReplacement Nozzles
- 1x Teflon Tape

Symbol



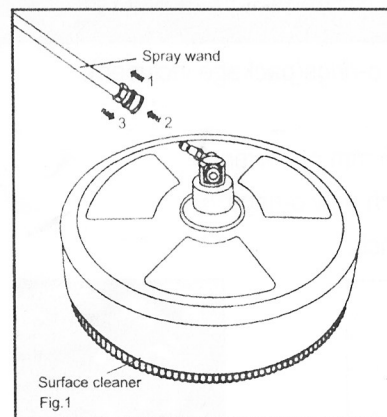
WARNING:

Don't hold and the edge of the surface cleaner when it is on.

Description of the Appliance

How to Use the Surface Cleaner, See Figure 1

1. Pull back collar on quick-connect end of wand
2. Push the surface cleaner into place.
3. push the collar forward, insert surface cleaner and release collar. Ensure the collar slides all the way forward. Tug on surface cleaner to make sure it is securely in place
4. Place surface cleaner on horizontal surface, push the button to release the trigger lock on spray gun and pull the trigger to operate the machine.



USING THE SURFACE CLEANER

See Figure 2

- Once the surface cleaner is installed connect the hose to the pressure washer as described in your pressure washer manual.
- Start the pressure washer as described in your pressure washer manual.
- Walk slowly behind the cleaning deck, cleaning as you go.



Fig. 2

Tips for cleaning

- Outdoor surfaces should be swept before the surface cleaner is used to avoid damaging the high pressure nozzles.
- The surface cleaner is not suited for scouring or scrubbing.
- If striping or swirling occurs, slow your pace. If striping or swirling continues, the surface cleaner nozzle(s) may be clogged.
- Striking any raised obstacle while using the surface cleaner will damage the unit. If contact does occur and causes vibration when operating the pressure washer, stop and discontinue use. Continuing to operate the unit could result in serious injury or damage to the unit.